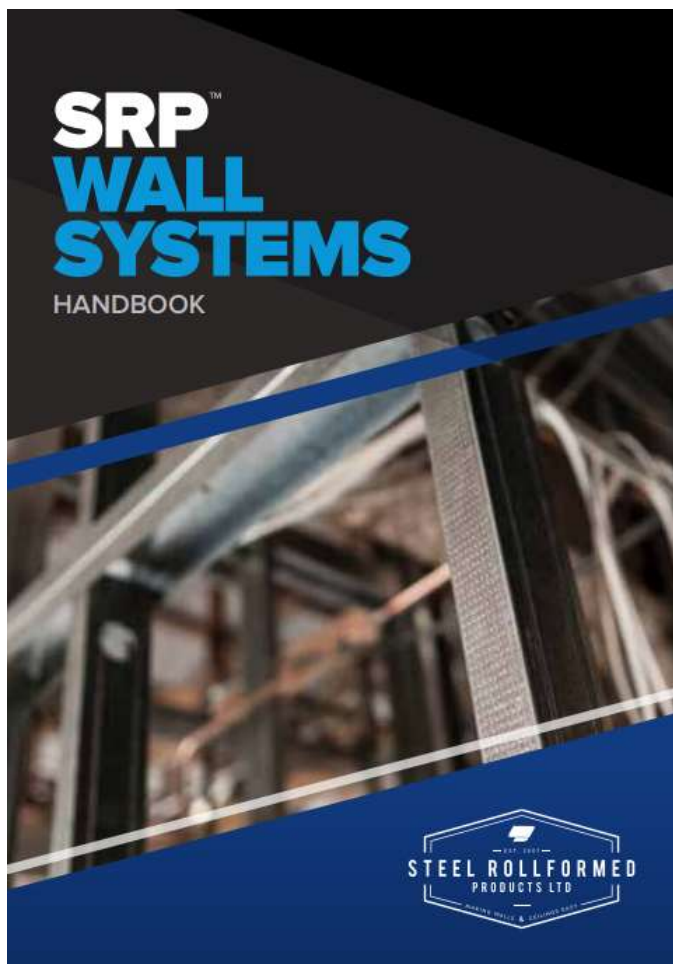




## SRP Steel Stud & Track System Installation

SRP™ has a wide range of easy to install steel wall products. Each SRP™ Wall system is characterized by lightweight handling, a familiar installation process and many durable features for quality building solutions.

For installation instructions please refer to:



SRP™ Steel stud & track system is a durable, lightweight wall system for internal plasterboard-lined walls, and specific external walls.

<b>Typical SRP Stud Sizes (mm):</b>
51, 64, 75, 92, 100 or 150.
<b>Steel Gauge Options (mm):</b>
0.55, 0.75 or 1.15 BMT

### **Selection Factors:**

- Location of project/ building (Wind Speed Zone).
- Terrain Category/ height above ground.
- CPI relative to the specific building design/ layout.
- Height of walls

### **Product Features:**

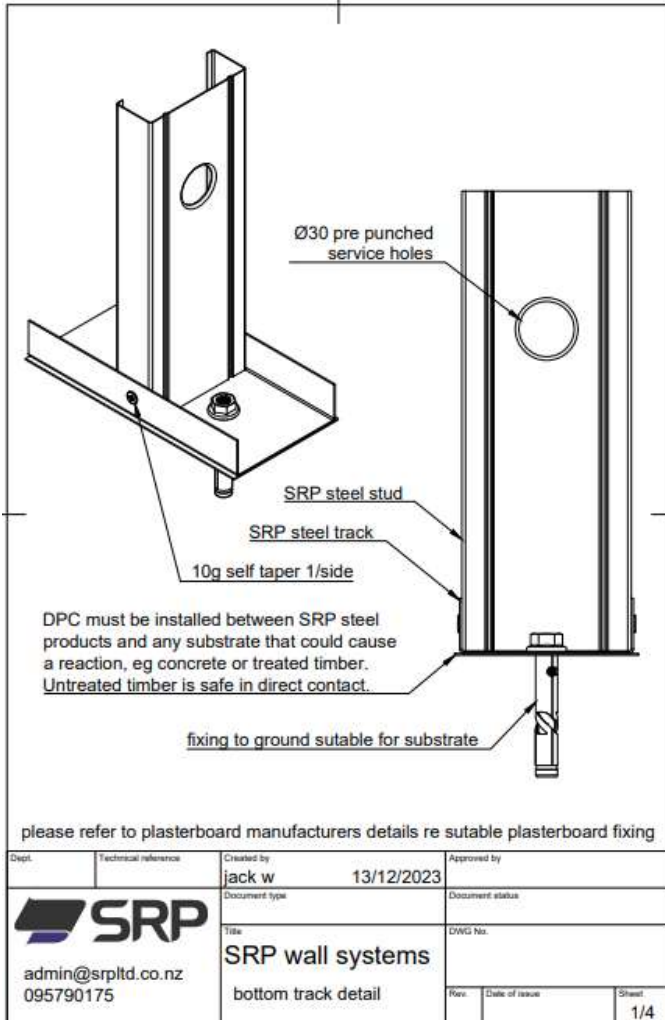
- *Custom Steel Stud Lengths*
- *Fire-rated & Acoustic Design*
- *Curved Wall Systems*
- *Seismic & Acoustic Design*

New Zealand made GALVSTEEL® is backed by a 50-year Durability Statement to demonstrate compliance with NZBC Clause B2-Durability, when used and maintained as referred to in the current New Zealand Steel Durability Statement.

## Seismic Partition Bracing with:



Please refer [www.srpltd.co.nz](http://www.srpltd.co.nz) for downloadable CAD Details:



Made in New Zealand by New Zealanders using 100% recyclable Grade G250 steel with Z275 Galvanised coating.

### Technical Requirements of the NZBC

- B 1.3.3 (a) – Self Weight
  - B1.3.3 (f) – Earthquake
  - B 1.3.3 (h) – Wind
  - B 2.3.1 - Durability 50 years
  - G 6.3.1 – The sound transmission class of walls, floors
- SRP Products are manufactured from Z275 Galvanised, G250 Steel - which is non-combustible.

### Evidence - Methodology Summary of NZBC Compliance

1. ASNZ4600 (Steel chemical composition, gauge grade tolerance, galvanised coating, testing statistics, yield point etc.
2. NZS4129 (seismic)
3. NZS3404 (fabrication)
4. AS1397 (sheet and strip)
5. AS1538 (cold formed structures)
6. ASZSNZ1170 (steel structures)
7. AS/NZS2785 (Suspended Ceilings)

### Compliance Pathways

B1/ VM1

An Engineered design is required - this needs to be done by a suitably qualified Engineer, who can also provide a PS-1.

### B2 Durability

SRP uses GALVSTEEL® manufactured by New Zealand Steel. The continuous hot-dip galvanized Zinc coating conforms to the industry standard required for this application; Z275 (275 g/m2 total). New Zealand Steel made GALVSTEEL® for framing is backed by a 50-year Durability Statement to demonstrate compliance with NZBC Clause B2-Durability, when used and maintained as referred to in the current New Zealand Steel's Durability Statement.

### G6 Airborne

G6/ AS1

### Criteria – Design Guidelines

Please contact Steel Rollformed Products Ltd - for Design Assistance or visit [www.srpltd.co.nz](http://www.srpltd.co.nz).

An Engineered design is often required - this needs to be done by a suitably qualified Engineer, who can also provide a PS-1.

Please refer SRP Wall Systems/ Ceiling Systems Handbook for installation requirements or visit [www.srpltd.co.nz](http://www.srpltd.co.nz)

### Installation Requirements

Please refer to SRP Wall Systems or SRP Ceiling Systems Handbooks (pdf).

For SRP Wall & Ceiling System Installation instructions/ downloadable CAD details refer: [www.srpltd.co.nz](http://www.srpltd.co.nz)

### Maintenance

No maintenance required - SRP Galv. Steel products/ systems are typically concealed (within walls/ ceilings), once installed.

### Scope of use

This varies between SRP Products/ systems... please refer to individual SRP product installation instructions via SRP website.